

SUPERLOCK DEADLOCK



- Easy to fit - Now made in *stainless steel*, the slim 70mm (2 ¾") wide lock case along with adjustable and removable deadbolt ensure easy fitting to gates.
- Simple deadlock action, gate remains open until key is turned.
- Deadbolt is adjustable in length for precise fitting on site. Suitable for left and right handed gates.
- Supplied with bolt support plate.



PRODUCT DETAILS

Product code:	Description:
BD1030	To fit flat bar and up to 30mm (1 ¼") box section
BD4060	To fit 40 to 60mm box section (1 ½" to 2 ¼")

Bolt: Adjustable, deadbolt moves 15mm (5/8").

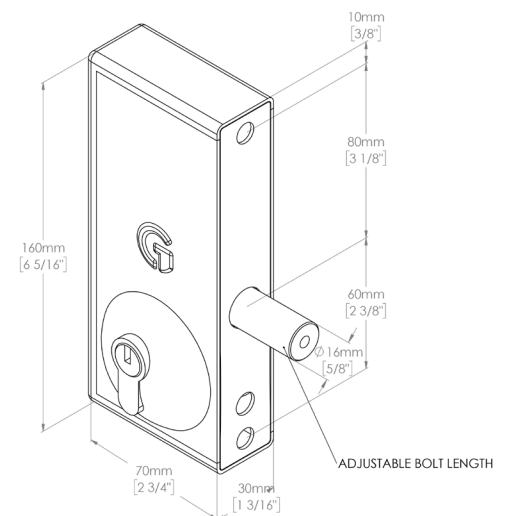
Perfect for both LH/RH gates.

This lock is supplied with a brushed stainless steel keep plate and 2x drill screws to fit this to the gate post.



INSTALLATION

- Drill 2 x 9mm (3/8") holes at 140mm (5 ½") centres for fixing bolts provided.
- Drill a second 18mm clearance hole for the deadbolt at 60mm (2 3/8") centres up from the bottom fixing hole.
- Hold the lock against the back of the box section and screw the deadbolt through the middle hole.
- Lock the deadbolt with the hex key supplied by inserting the hex key into the end of the deadbolt.
- Fix lock in place using the stainless steel bolt support plate and the countersunk screws provided. Ensure the deadbolt moves freely.
- MAINTENANCE** Every 6 months, lubricate the deadbolt with light oil. Annually, dismantle the lock and spray mechanism with light oil.



VISIT GATEMASTERLOCKS.COM FOR MORE INFORMATION

